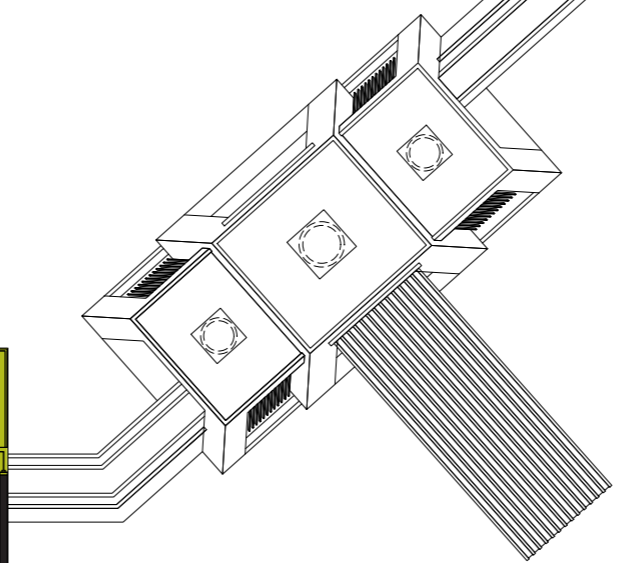


BLOCK A



BLOCK B



Unit no.	Area (sq.m)
A101	78
A102	47
A103	47
A104	52
A105	47
A106	83
Total	354
B101	74
B102	52
B103	47
B104	47
B105	121
Total	341



FIRST FLOOR PLAN

SCALE 1 : 200